

60mm sq.

San Ace 60



General Specifications

- Material Frame: Plastics (Flammability: UL94V-0),
Impeller: Plastics (Flammability: UL94V-1)
- Expected Life Refer to specifications (L10:Survival rate:90% at 60°C ,
rated voltage, and continuously run in a free air state)
- Lead Wire ⊕red ⊖black (Sensor) yellow (Control) brown
- Storage Temperature -30°C to +70°C (Non-condensing)

60×60×38mm (Mass : 130g) 9GV type

Specifications The following nos. **have PWM controls, pulse sensors, and ribs.** For ribless, append "1" to the model no.

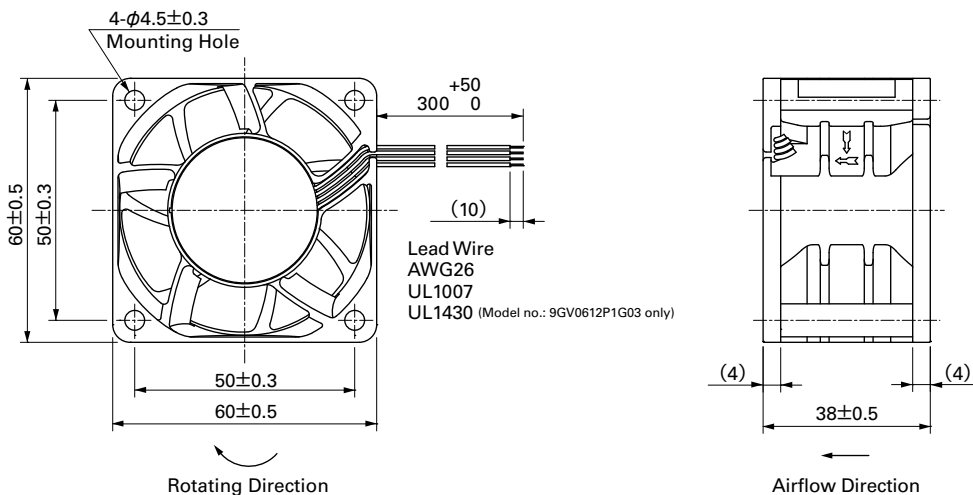
Model No.	Rated Voltage [V]	Operating Voltage Range [V]	PWM duty cycle* [%]	Rated Current [A]	Rated Input [W]	Rated Speed [min ⁻¹]	Max. Airflow [m ³ /min] [CFM]	Max. Static Pressure [Pa] [InchH ₂ O]	SPL [dB(A)]	Operating Temperature Range [°C]	Expected Life [h]	
9GV0612P1G03	12	8.0 to 13.8	100	2.8	33.6	16,000	2.37 84	751 3.02	66	-20 to +70	40,000/60°C	
			0	0.12	1.5	3,100	0.44 15	26 0.10	25			
100			2.0	24.0	14,500	2.15 76	617 2.48	63				
0			0.1	1.2	2,700	0.40 14	21 0.09	22				
9GV0612P1M03		10.8 to 13.8	100	1.5	18.0	13,000	1.93 68	496 1.99	60			
0			0.08	1.0	2,500	0.38 13	18 0.07	19				
9GV0612P1L01 <small>(Note)</small>		24	20.4 to 27.6	100	0.7	8.4	10,000	1.49 52.6	293 1.17			52
9GV0624P1G03				100	1.4	33.6	16,000	2.37 84	751 3.02			66
	0			0.12	2.88	6,000	0.89 31	105 0.42	38			
9GV0624P1M03 <small>(Note)</small>	100			0.73	17.52	13,000	1.93 68.0	496 1.99	60			
9GV0648P1H03	48	38 to 57	100	0.5	24	14,500	2.15 76	617 2.48	63			
			0	0.08	3.84	6,000	0.89 31	105 0.42	38			

Note : Fan does not rotate when PWM duty cycle is 0%.

※PWM Frequency : 25kHz

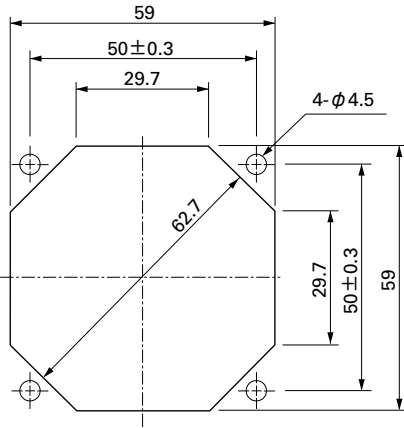
Other sensor specifications are available as options. Please refer to the index (p. 507).

Dimensions (unit: mm) (With ribs)



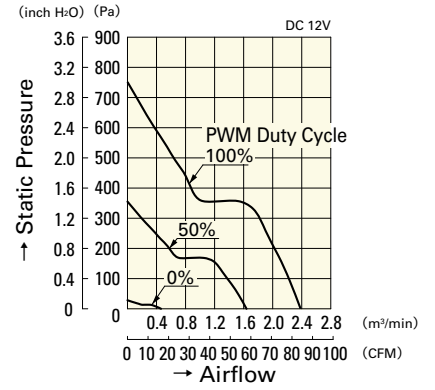
Reference Dimensions of Mounting Holes and Vent Opening (unit: mm)

Inlet side, Outlet side



Airflow - Static Pressure Characteristics

PWM Duty Cycle



9GV0612P1G03

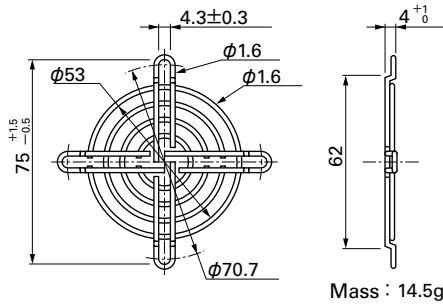
Options (unit: mm)

Finger Guards

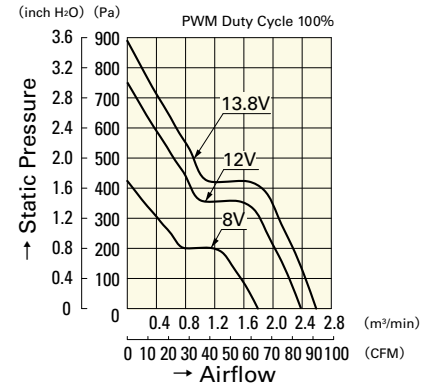
Model : 109-139E Surface treatment : Nickel-chrome plating (silver)
 : 109-139H : Cation electropainting (black)

Color

Inlet side, Outlet side



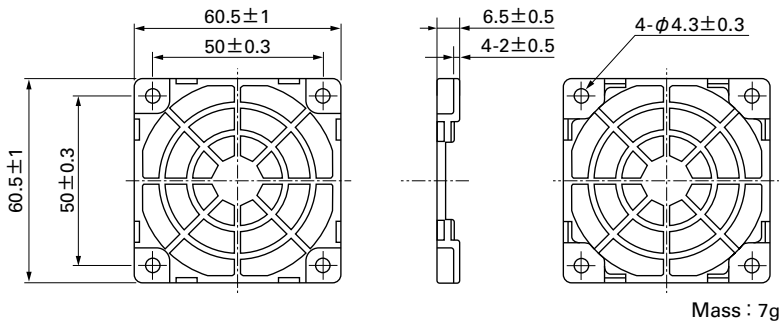
Operating Voltage Range



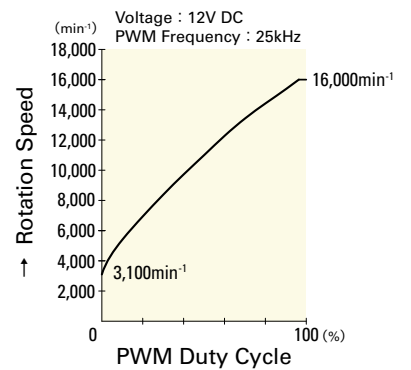
9GV0612P1G03

Resin Finger Guards

Model : 109-1003G



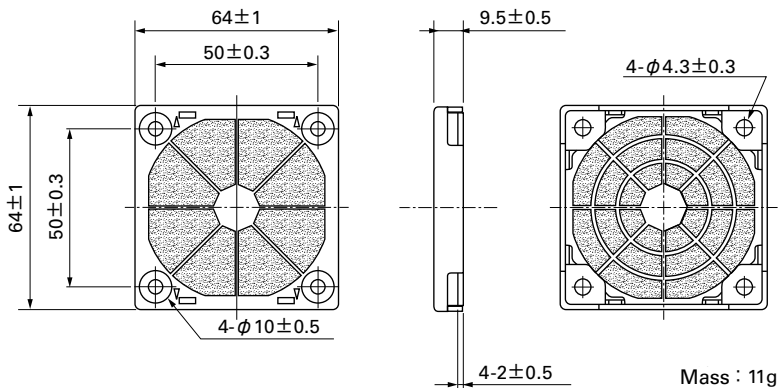
PWM Duty - Speed Characteristics Example



9GV0612P1G03

Resin Filter Kits

Model : 109-1003F13 (13PPI), 109-1003F20 (20PPI)
 : 109-1003F30 (30PPI), 109-1003F40 (40PPI)



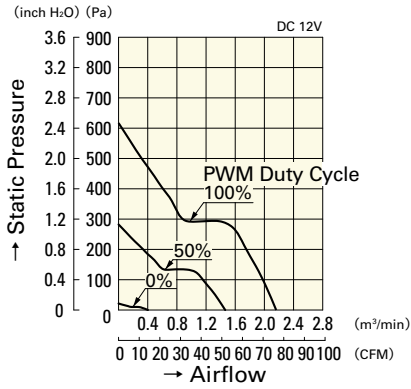
60mm sq.

San Ace 60

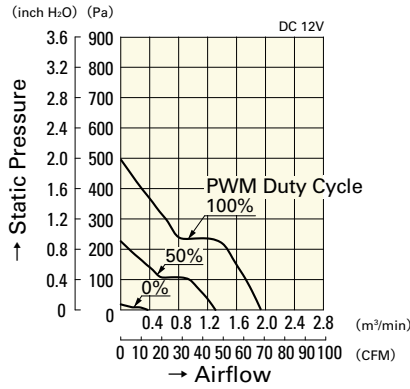
60×60×38mm [Mass : 130g]

Airflow - Static Pressure Characteristics

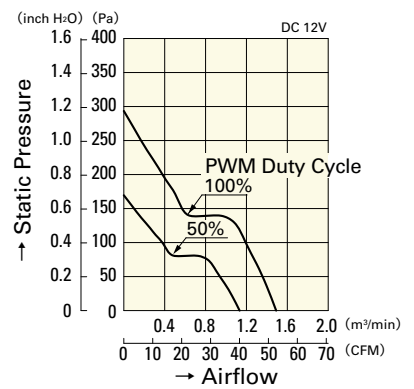
PWM Duty Cycle



9GV0612P1H03

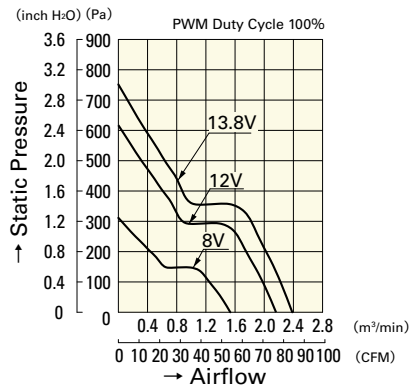


9GV0612P1M03

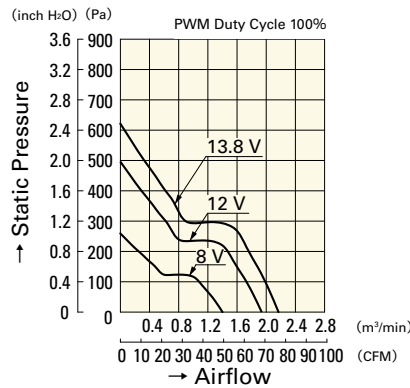


9GV0612P1L01

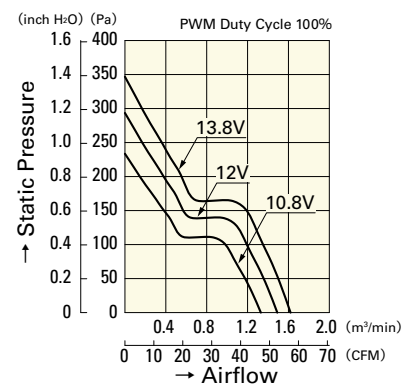
Operating Voltage Range



9GV0612P1H03

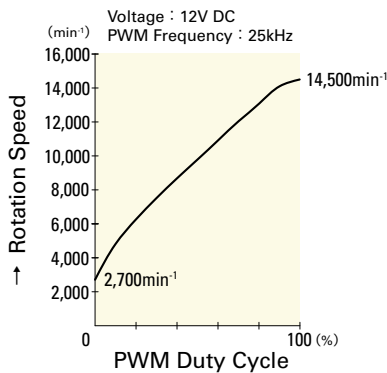


9GV0612P1M03

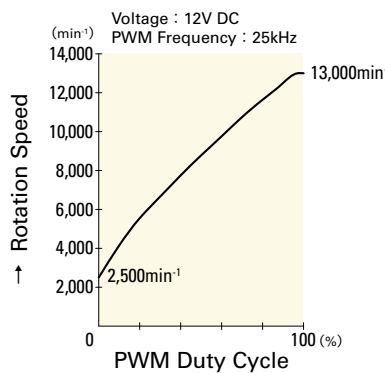


9GV0612P1L01

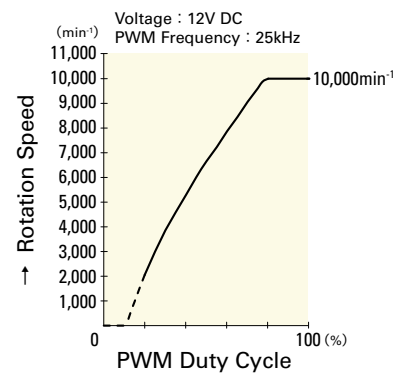
PWM Duty - Speed Characteristics Example



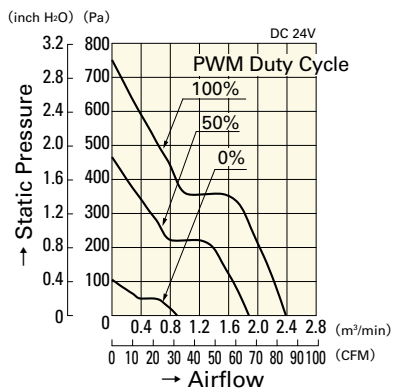
9GV0612P1H03



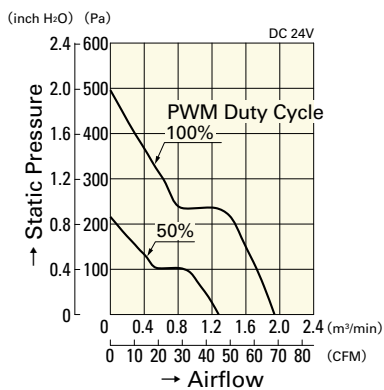
9GV0612P1M03



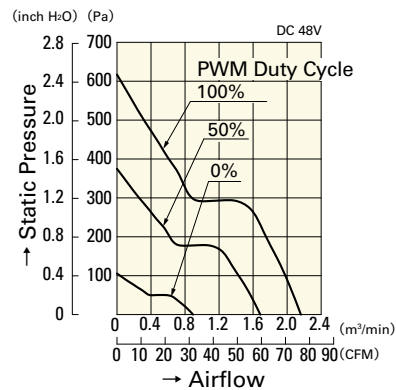
9GV0612P1L01



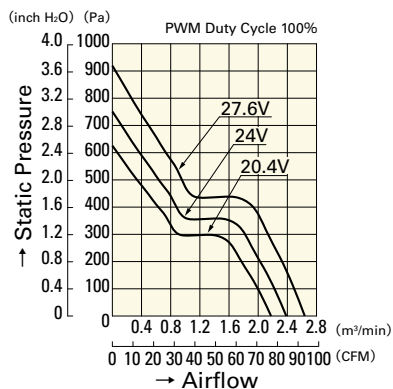
9GV0624P1G03



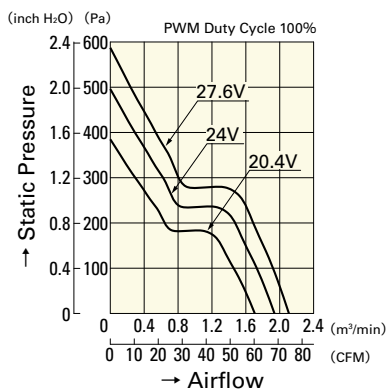
9GV0624P1M03



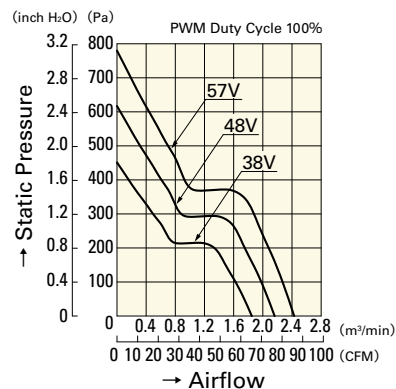
9GV0648P1H03



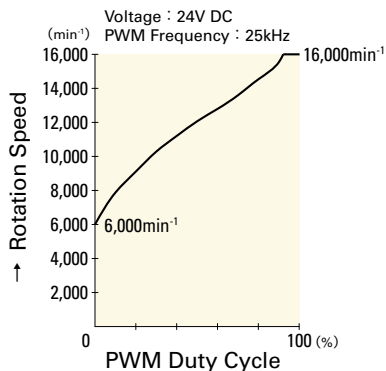
9GV0624P1G03



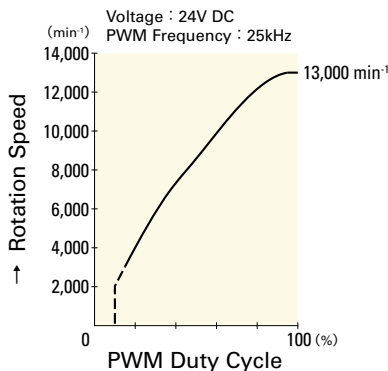
9GV0624P1M03



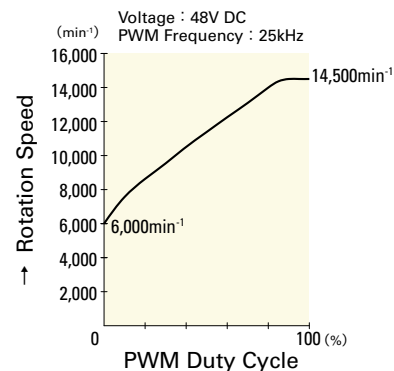
9GV0648P1H03



9GV0624P1G03



9GV0624P1M03



9GV0648P1H03