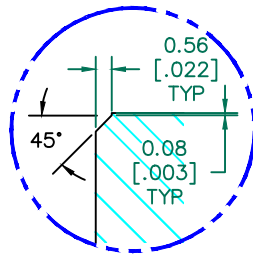
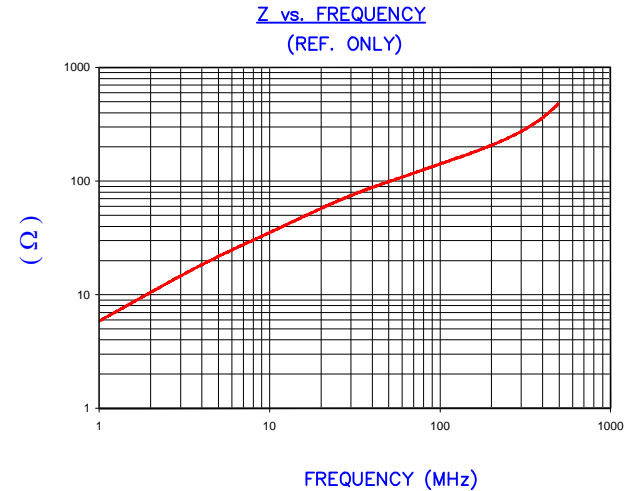


SECTION A-A

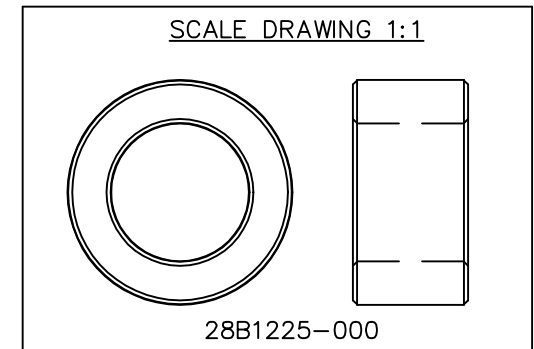


DETAIL "A"  
SCALE: 4:1

| IMPEDANCE ( Z ) |        |         |         |
|-----------------|--------|---------|---------|
| Frequency       | 25 MHz | 100 MHz | 300 MHz |
| Nominal (REF)   | 68 Ω   | 140 Ω   | 270 Ω   |
| Minimum         | - Ω    | 112 Ω   | - Ω     |



AGILENT E4991A Impedance/Material Analyzer  
HP 16092A Test Fixture



RoHS

**UNCONTROLLED DOCUMENT**

NOTES: UNLESS OTHERWISE SPECIFIED

1. COSMETIC SPECIFICATION REFER TO WI-QA-038.

FERRITE CORE DIMENSIONS (SPEC): mm/inches

|   |               |   |             |
|---|---------------|---|-------------|
| A | 31.12 [1.225] | ± | 0.61 [.024] |
| B | 19.05 [.750]  | ± | 0.40 [.016] |
| C | 15.93 [.627]  | ± | 0.40 [.016] |

WEIGHT/1000 37.16 kgs 81.93 Lbs.

| DIMENSIONS ARE IN mm (INCHES). |   |          |     | This print is the property of Laird Tech. and is loaned in confidence subject to return upon request and with the understanding that no copies shall be made without the written consent of Laird Tech. All rights to design or invention are reserved. |                 |                             |  |
|--------------------------------|---|----------|-----|---|-----------------|-----------------------------|--|
| J                              | UPDATE COMPANY LOGO   | 05/22/15 | QIU |   |                 |                             |  |
| H                              | CHANGE P/N REMOVE COATING SPECS                                     | 08/15/03 | JRK | PROJECT/PART NUMBER:<br><b>28B1225-000</b>  | REV<br><b>J</b> | DRAWN BY:<br>DJB            |  |
| G                              | UPDATE FORMAT, Z SPECS, ADD CURVE CHG P/N WAS 000 ADD COATING SPECS | 07/22/03 | JRK |   |                 |                             |  |
| F                              | CHG P/N WAS 00* REM COATINGS ADD DETAIL A                           | 07/31/02 | JRK | DATE: 05/21/93  | SCALE: 1.5 : 1  | MATERIAL:<br><b>FERRITE</b> |  |
| E                              | CHG P/N FROM -000 ADD COATING SPECS                                 | 03/24/99 | IS  |   |                 |                             |  |
| D                              | UPDATED P/N FOR NEW CATALOG   | 09/25/95 | JBE | CAD # 28B1225-000-J   | TOOL # B1225    |                             |  |
| C                              | ADDED NOTE TO COVER SHEET   | 12/08/93 | JAZ |   |                 |                             |  |
| B                              | CHG THICKNESS, IMPED, WK/K  | 06/30/93 | DJB |   |                 |                             |  |
| REV                            | DESCRIPTION   | DATE     | INT |   |                 |                             |  |