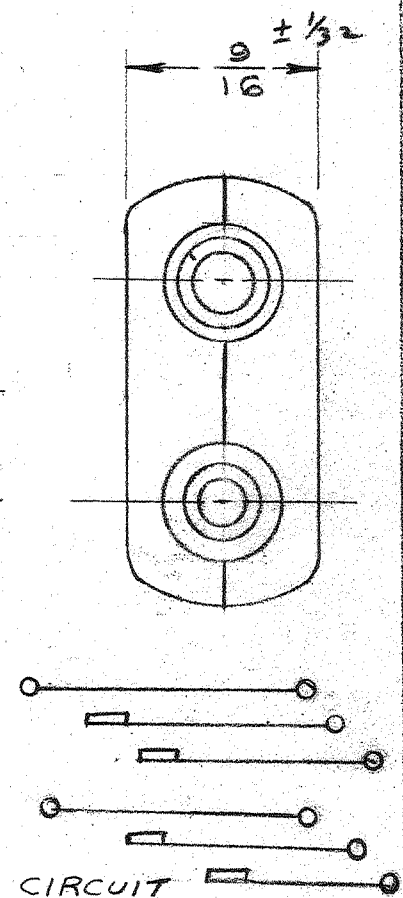
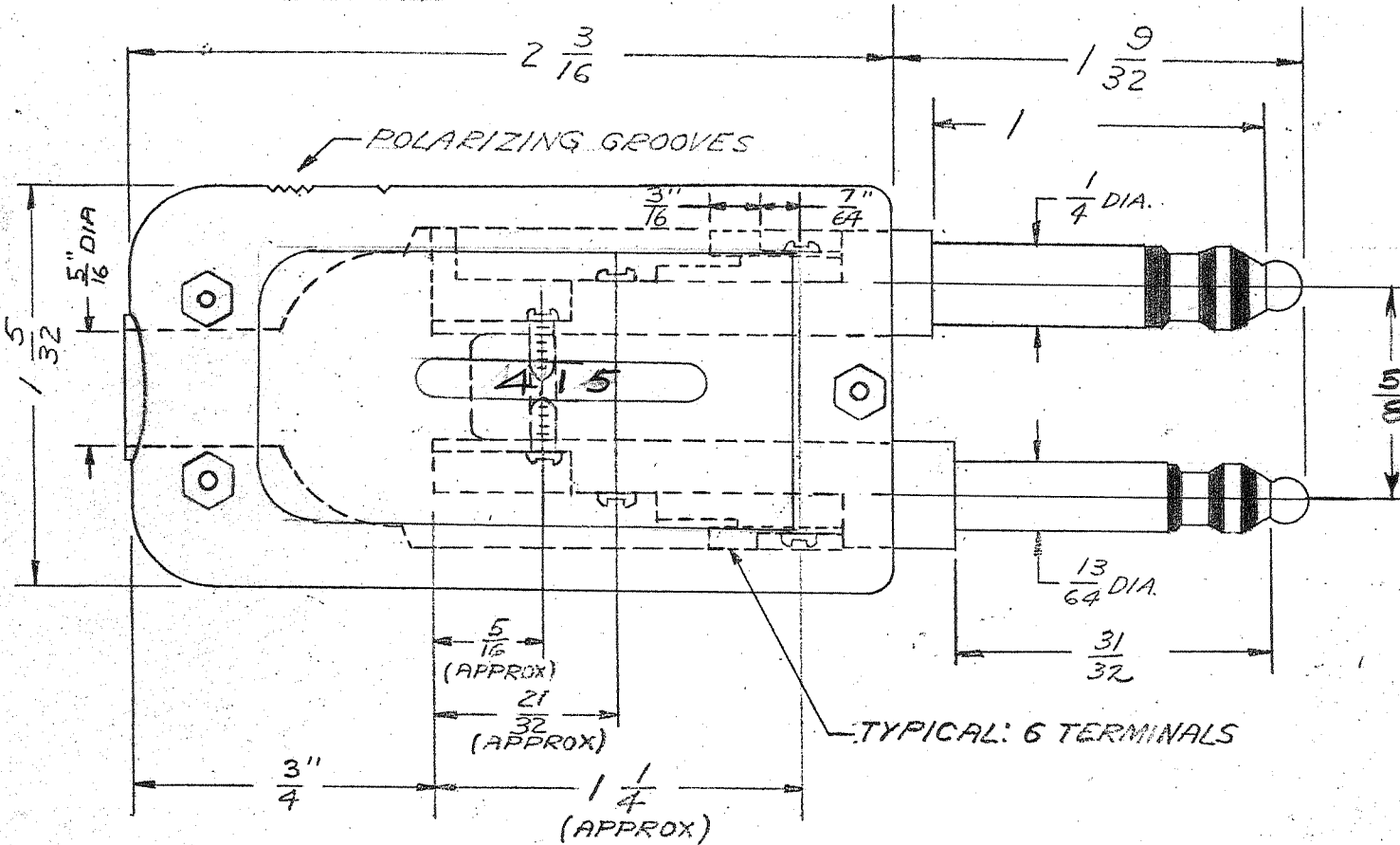


PART NO.

415



REVISIONS	2	ADDED THE SIDE VIEW RM 3-11-65
	A	Eco 20627 TA <sub>0</sub> 2/23/66

NOTE  
 1-DECIMAL DIMENSION ± .005.  
 2-FRACTIONAL DIMENSION ± 1/64.  
 3-ANGLE ± 1/2°.  
 4-REMOVE ALL BURRS.  
 5-DO NOT SCALE DRAWING.  
 6-ALL DIMENSIONS IN INCHES.  
 7-SUBJECT TO CHANGE WITHOUT NOTICE. ALWAYS OBTAIN NEW PRINT FOR EACH ORDER.  
 8-FOR TYPERS USE PLUM AND KING COPIES ONLY.

SWITCHCRAFT, INC.  
 1500 N. GUYTON  
 CHICAGO 18, ILLINOIS

MATERIAL		DESIGNED BY	DATE
SIZE	WIDTH	C. J. D.	11-20-64
THICK.	LBS. PER YD.	CHECKED	DATE
QUANT.	PER INCH	APPROVED	DATE
NAME 3 CONDUCTOR TWIN PLUG POLARIZED		ISSUE	SCALE 2=1
		REV. A	DATE
		PART NO.	415

ISSUE	DATE
REV. A	
PART NO.	415