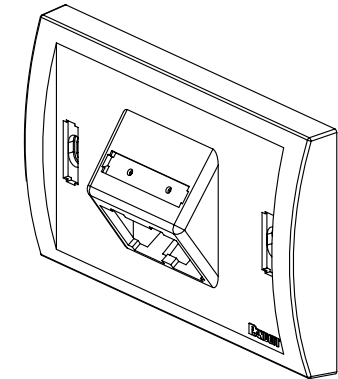
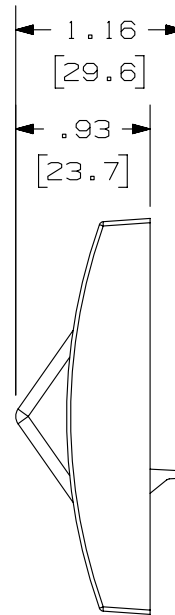
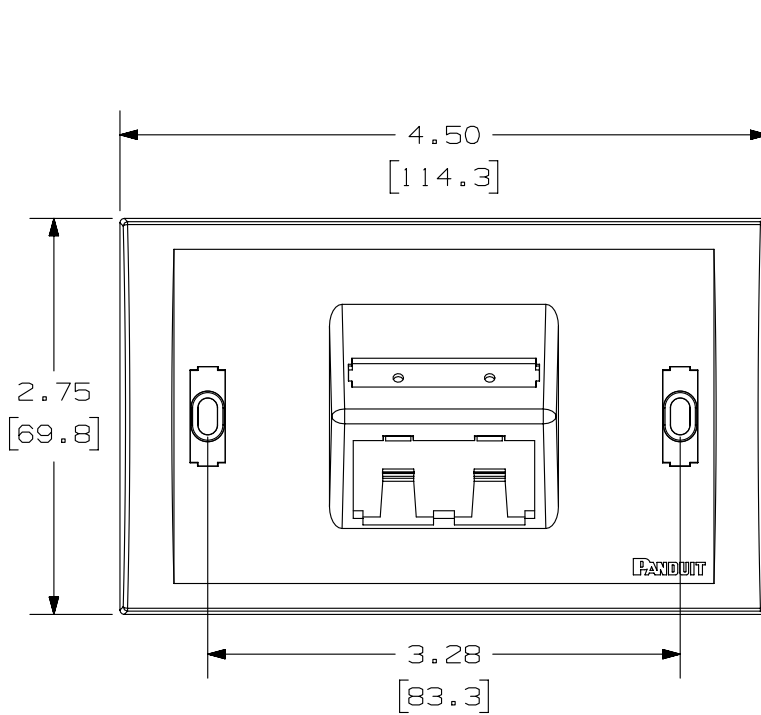


THIS COPY IS PROVIDED ON A RESTRICTED BASIS AND IS NOT TO BE USED IN ANY WAY DETRIMENTAL TO THE INTERESTS OF PANDUIT CORP.

PANDUIT P/N	WEIGHT
UICFPHSE2**	.67 LB/10 PCS (306.0 g/10 PCS)

NOTES:

- SEE CURRENT CATALOG FOR ADDITIONAL PART NUMBER SUFFIXES TO INDICATE COLOR AND OR PACKAGE QUANTITY.
- SEE CATALOG FOR COMPLETE LIST OF PARTS APPLICABLE FOR USE WITH THIS PART.
- DIMENSIONS IN PARENTHESES ARE IN METRIC.
- PART INCLUDES:
 - 1- FACEPLATE
 - 1- CLEAR SCREW COVER
 - 1- COLOR COORDINATED SCREW COVER
 - 1- CLEAR LABEL COVER
 - 2- MOUNTING SCREW



PART NUMBER		UICFPHSE2**	
TITLE			
MINI-COM ULTIMATE ID 2 POSITION HORIZONTAL SLOPED EXECUTIVE SERIES FACEPLATE			
CUSTOMER DRAWING			
ITEM REVISION NAME		M01288BE/07	
DATASET FILE NAME		M01288BE_DC/07A	
UNLESS OTHERWISE SPECIFIED, DIMENSIONAL TOLERANCES ARE: IN [mm]		MATERIAL:	
.x ± .xxx ± .010 [.3]		ABS	
.xx ± .03 [.8]		DRAWING NUMBER:	
ANGLES ±		01288-09	
THIRD ANGLE PROJECTION		SHT 1 OF 1	
DRAWN BY	DATE	CHK	SCALE
JSP	7-24-02	JAJP	NONE
REV	DATE	BY	CHK
1	5-14-14	BJN	JSP
APR	MMR	REVISD & REDRAWN PREVIOUS REVISIONS REMVD FOR CLARITY	
ECN	01288-09		

D10100DA/14