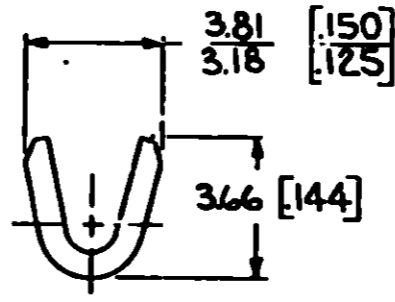
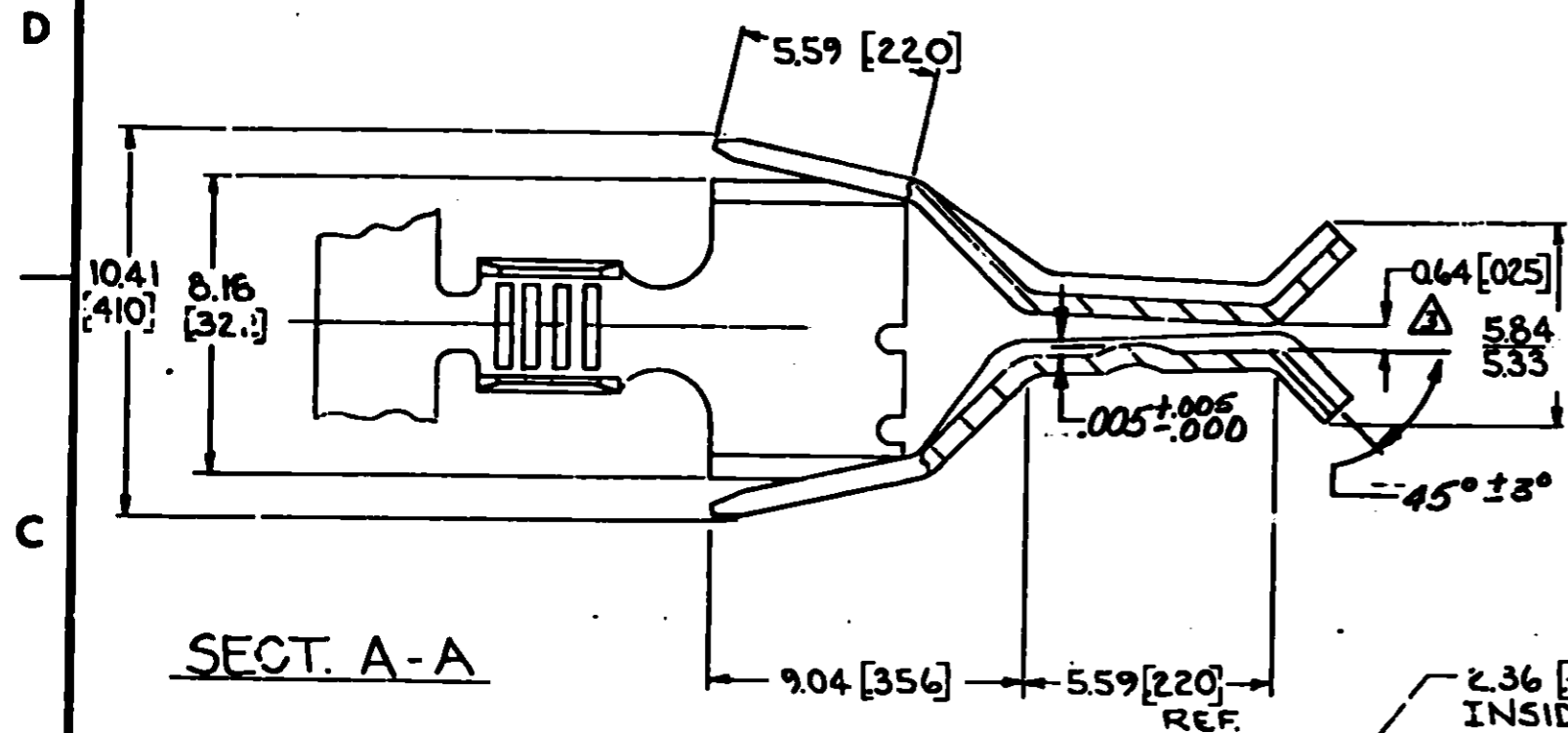


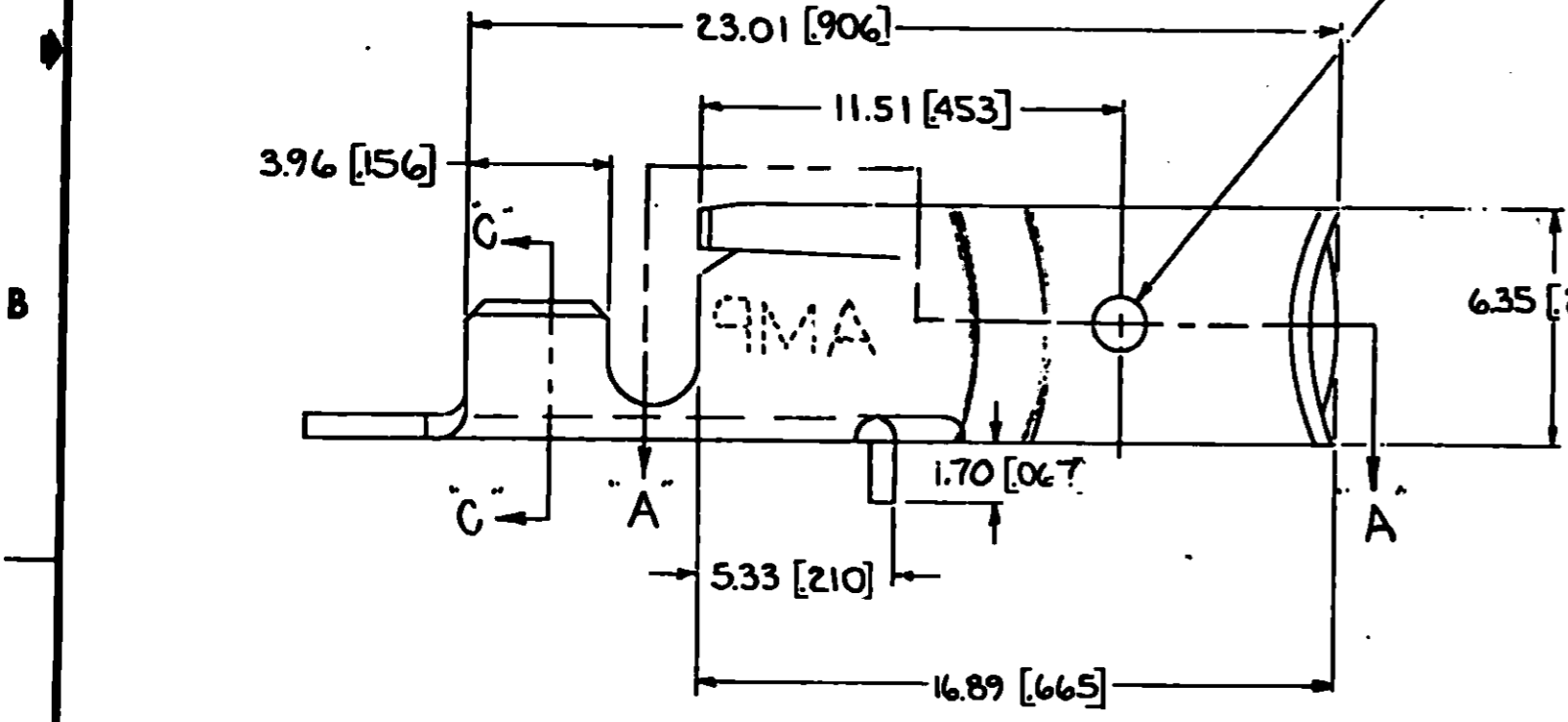
© COPYRIGHT 1980 BY AMP INCORPORATED, HARRISBURG, PA.
 ALL INTERNATIONAL RIGHTS RESERVED. AMP INCORPORATED PRODUCTS
 COVERED BY U. S. AND FOREIGN PATENTS AND/OR PATENTS PENDING.

REVISIONS					
REV	ZONE	LTR	DESCRIPTION	DATE	APPROVED
✓		A	RELEASED & REVISED PER A-4907	2/1/80	67
✓		B	REVISED PER AF-6732	12/9/79	25
✓		C	REV PER AF-7236	7/15/79	PMF
✓		D	REV PER AF-7675	7/24/79	PMF

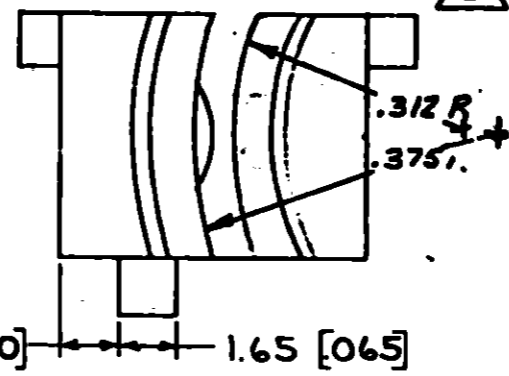


SECT. A-A

SECT. C-C



NOTE:
 1. DIMS. IN BRACKETS ARE IN INCHES.
 2. CONTINUOUS STRIP ON REELS.
 3. DIMENSION NOT TO EXCEED 1.01 [040] AFTER 6 INSERTIONS OF A MATING BLADE.



METRIC

UNLESS OTHERWISE SPECIFIED DIMENSIONS ARE IN MILLIMETERS TOLERANCES ON: DECIMALS ± 0.25 [010] ANGLES 2°	CONTRACT NO
	DR <i>R.L. Imyres 6-16-80</i>
	CHK <i>G. V. Stiles 6-17-80</i>
	APPD <i>[Signature] 6-17-80</i>
MATERIAL 0.64 [025] THK. PHOS. BRZ.	APPD <i>C. R. [Signature] 6-17-80</i>
FINISH TIN	DSGN APPD
	OTHER APPD

0.5 - 1.3mm [20-16]		63035-1
WIRE RANGE		PART NO
AMP AMP INCORPORATED Harrisburg, Pa.		
NAME RECEPTACLE, TWISTLOCK		
SIZE B	CODE IDENT NO 00779	DRAWING NO 63035
SCALE	SHEET	