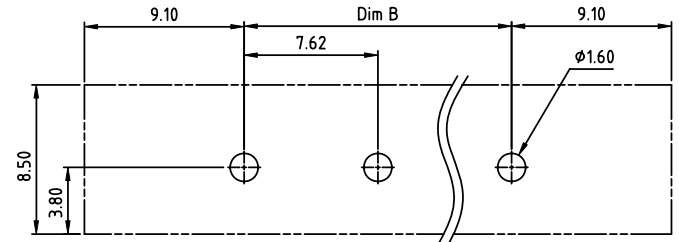
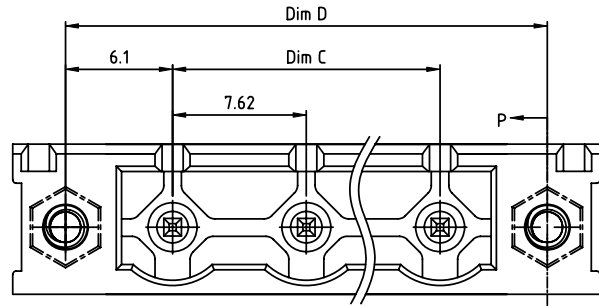
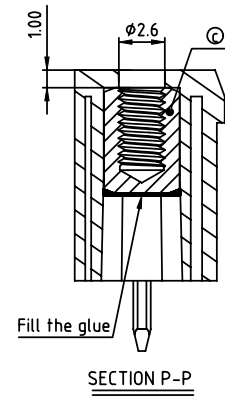
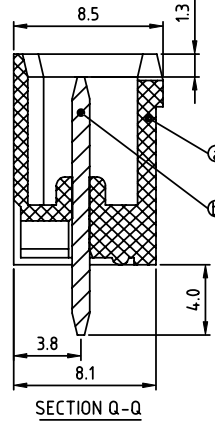
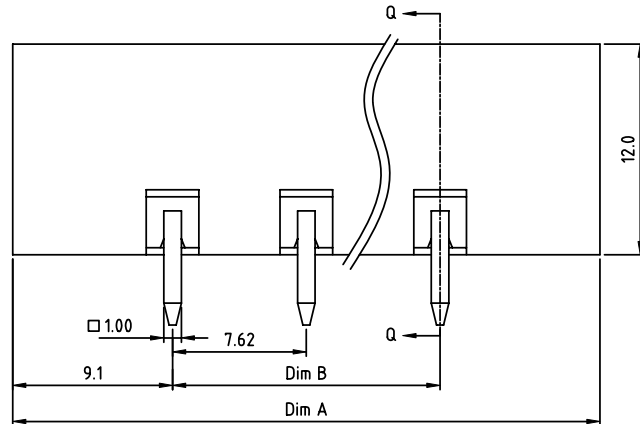


PRODUCT NUMBER	PITCH
OQxx05x000J0G	7.62 mm



RECOMMENDED P.C.B LAYOUT
TOP VIEW



Material:

- Item ① Male contact pin: Copper Tin plated
- Item ② Terminal housing: Thermoplastic (UL94V-0)
- Item ③ Flange nut: Brass ,M2.5

Electrical: cULus TUV

- Voltage rating: 300V 750V
- Current rating: 20A 15A
- Withstanding Voltage: 1.6 KV 6KV
- Operating temperature: -40°C to +115°C
- Soldering temperature: 260°C±5°C/5 Sec
- Safety Approval:

DIMENSION

Dim A	$(N+1) \times 7.62 + 2.96$
Dim B&C	$(N-1) \times 7.62$
Dim D	$(N-1) \times 7.62 + 12.2$

N= NUMBER OF POLES

Poles	Tolerance
2P-4P	±0.15
5P-8P	±0.20
9P-12P	±0.30
13P-16P	±0.40

PART NO.: OQ xx 0 5 x 0 00J0 G

- | | | |
|--------------|---------------------|---|
| No. of poles | 0 Black (RAL9005) | RoHS compliant (lead<4%)
In copper Alloy |
| 02 2 poles | 2 Red (RAL3001/D) | |
| 03 3 poles | 3 Orange(RAL2011/P) | |
| | 4 Yellow(RAL1018/A) | |
| 16 16 poles | 5 Green(RAL6018/T) | |
| | 6 Blue (RAL5015/A) | |
| | 8 Grey(RAL7035/D) | |
| | 9 White(RAL1102) | |
| | C Green(RAL6018/U) | |

mat'l. code	surface ASME Y14.5	tolerance ASME Y14.5	projection 	product family TERMINAL BLOCK
ltr	ecn	no	dr	date
			angles	$X \pm 0.5$
			$X^* \pm 1^*$	$X.X \pm 0.3$
			scale	$X.XX \pm 0.1$
dr	HANKE FENG	040414		title TERMINAL BLOCK
enrg	HANKE FENG	040414		PLUGGABLE SOCKET, WITH FLANGE, VERTICAL
chr	SHI JUN	040414		scale
appd	SHI JUN	040414		scale
sheet index	revision	A	dwg no	sheet 1 of 1 size
	sheet	1	OQxx05x000J0G	A4
			type	CUSTOMER Drawing