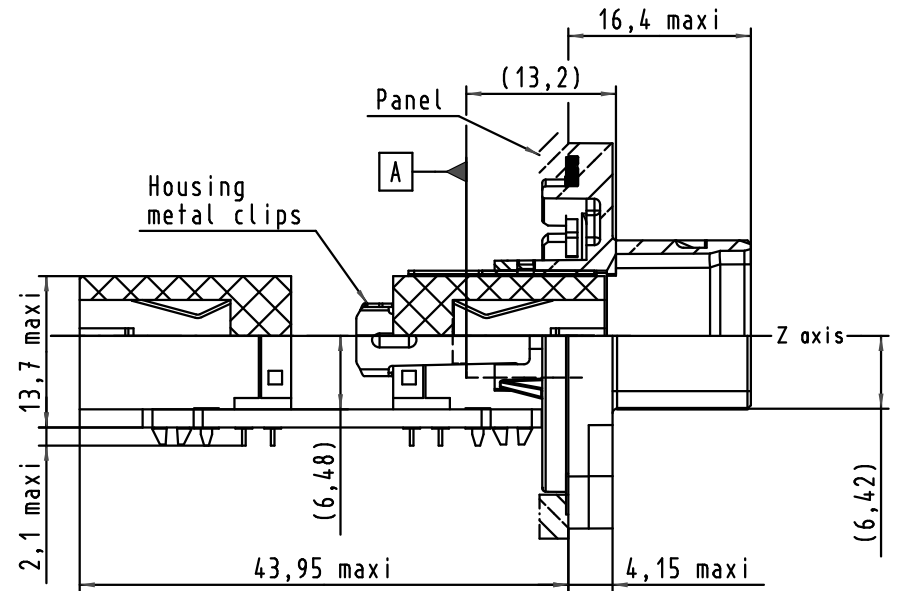
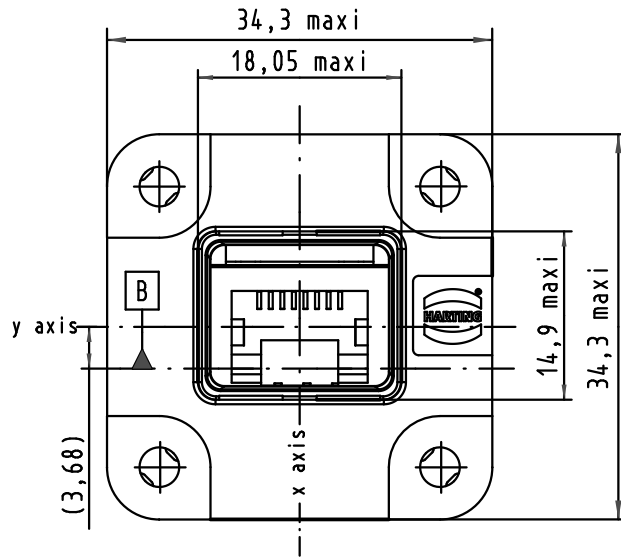
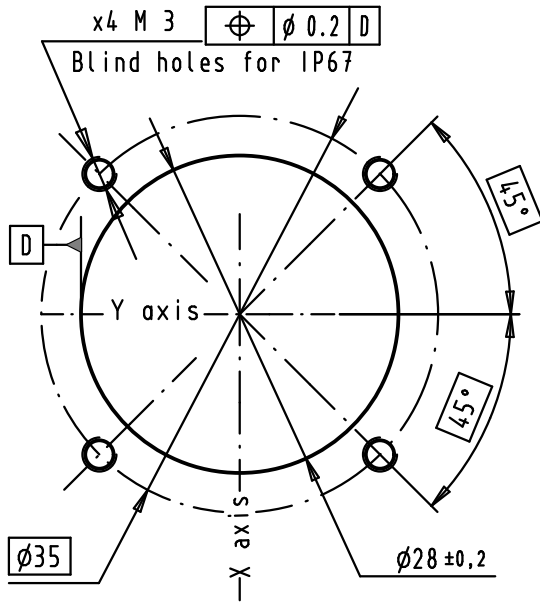


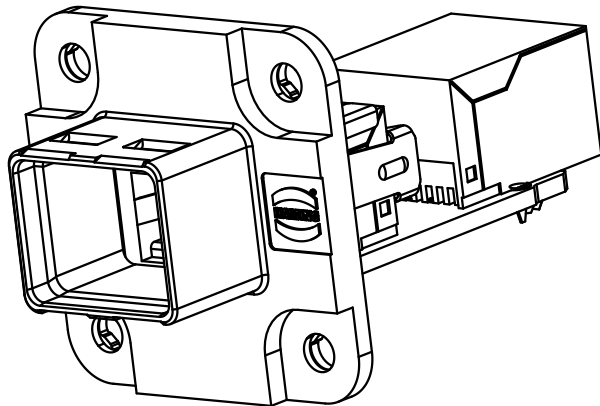
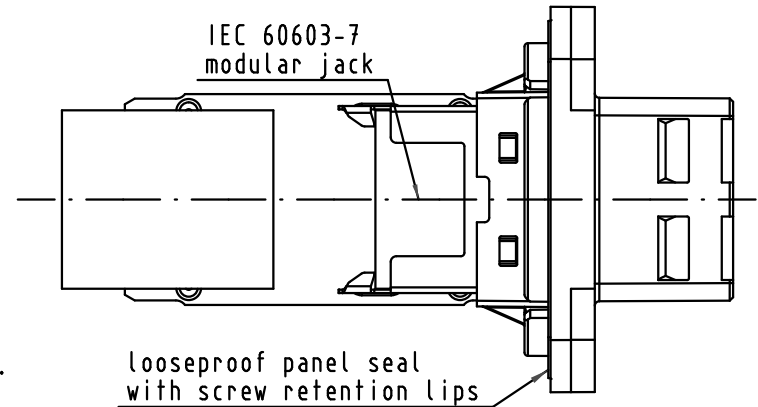
Panel cutting




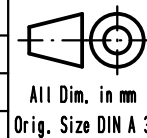
Connector pitches on panel = 35 mm
 Receptacle mating face acc. to
 IEC 61076-3-106 - variant 04

jack references A and B
 according to IEC 60603-7
 the jack is located in the housing
 in the X,Y,Z axis after locking clips.
 The assembled PC Board is delivered to
 customers not assembled with the housing.

Screwing by x4 M3 screws with flat washer
 Recommended screwing torque for IP67=0.5 N.m mini



Mod.	Dot.	Name	Det.	Name	 HARTING PushPull Metal RJ45 EasyInstall panel feed-through IP65/67 right angled jacks, 8 poles	Maßstab/ Scale	
			Detail.	12/02/09		BD	1,5:1
			Insp.	28/02/12		JMV	
			Stand.				
36318	17/01/12	BD					
36070	08/03/10	BD	HARTING EURL F-95972 Paris			TB 09 45 295 1130	Blatt/ Page 1 / 1
35643	12/02/09	BD					



All Dim. in mm
 Orig. Size DIN A 3



Sub.